


PIN	FUNCTION	COLOR
1	MOTOR U	YELLOW
2	MOTOR V	RED
3	MOTOR W	BLACK
4	MOTOR PE \perp	YELLOW/GREEN



Housing:T66L6-04P
Terminal:T66L6-B

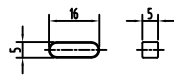
Connector Detail (Power Wire)

PIN	FUNCTION	COLOR	PIN	FUNCTION	COLOR
1	DC +5V	RED	9	W	GRAY/BLACK
2	GND	BLACK	10	V	WHITE/BLACK
3	NC		11	/Z	YELLOW/BLACK
4	U	BROWN/BLACK	12	/B	GREEN/BLACK
5	/U	BROWN	13	/A	BLUE
6	Z	YELLOW	14	/W	GRAY
7	B	GREEN	15	/V	WHITE
8	A	BLUE/BLACK			

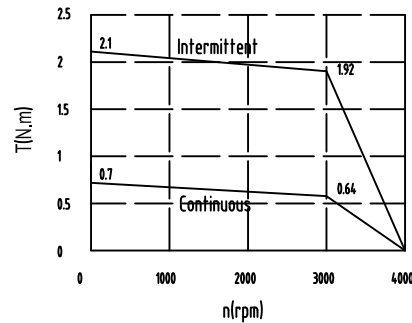
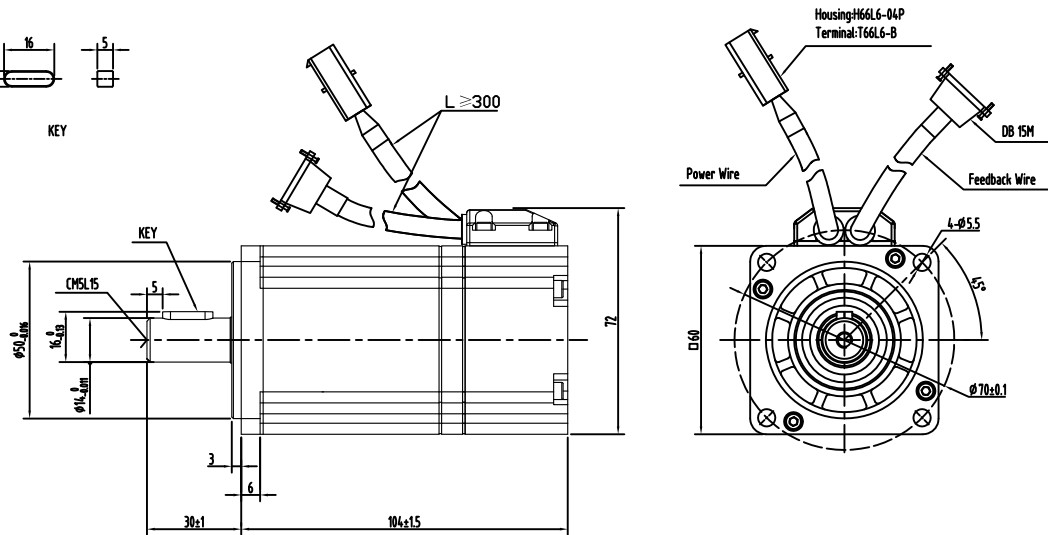


DB 15M

Connector Detail (Feedback Wire)



KEY



Technical Data		
No. of poles	6	
DC Link Voltage U_{dc} (DC Link)	48	
Rated Power P_n (W)	200	
Rated Torque T_n (N.m)	0.64	
Rated Speed n_n (rpm)	3000	
Rated Current I_n (A)	5.1	
Maximum torque T_m (N.m)	1.92	
Maximum Current I_m (A)	15.3	
Standstill torque T_s (N.m)	0.7	
Standstill current I_s (A)	5.6	
Resistance line-line R_L (Ω)	0.889	
Inductance line-line L_L (mH)	151	
Electrical time constant τ_e (ms)	1.70	
Mechanical time constant τ_m (ms)	1.88	
Voltage constant K_v (V/krpm)	8	
Torque constant K_t (Nm/A)	0.132	
Rotor moment of inertia J_m (Kg.cm ²)	0.214	
Max. voltage rising du/dt (KV/ μ s)	8	
Insulation class	F	
Max. radial force F_r (N)	180	
Max. axial force F_a (N)	90	
Weight(Kg)	1.1	
Feed back device	2500p/rev incremental encoder TS6014N119	
Temperature sensor	n.a.	
Cooling method	Totally enclosed non-ventilated	
protection level	IP65,shaft sealing IP54	
Environmental conditions	Temperature	-20C ~40C
	Humidity	Below 90%RH (No dewing)
	Environment	Far away active gas,combustible gas,oil drop,ash.
Rating conditions	Installation altitude	UP TO 1000m:rated power, above 1000m:15% power decreasing per 100m,max.4000m
	Mounting	Aluminum flange 255x255x6mm
	Temperature	60K housing temperature ring at 40C ambient

REV	ECN NO.	DRN	APP'D	DATE	DESIGN	DATE	P/N.
					WYD	19-3-14	9.5618SS
UNLESS OTHERWISE SPECIFIED TOLERANCES:					MATERIAL	CONTR.	CHECK
DECIMALS: \pm 0.5							LS
ANGULAR: \pm 0°30'							APPD
.x \pm 0.25							SL
.xx \pm 0.1							
.xxx \pm 0.1							
UNIT: mm					FIRST ANGLE PROJECTION	SCALE	
DO NOT SCALE DRAWING						SHEET	OF
							TITLE
							9.5618SS
							USED ON
							SMC60S-0020-30AAK-3DSH
							DWG NO.
							REV V1.0
							Kinco