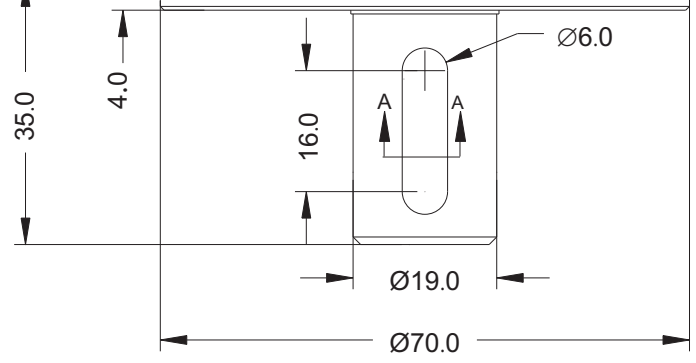
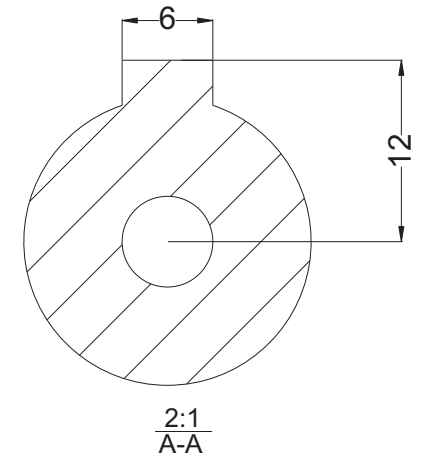
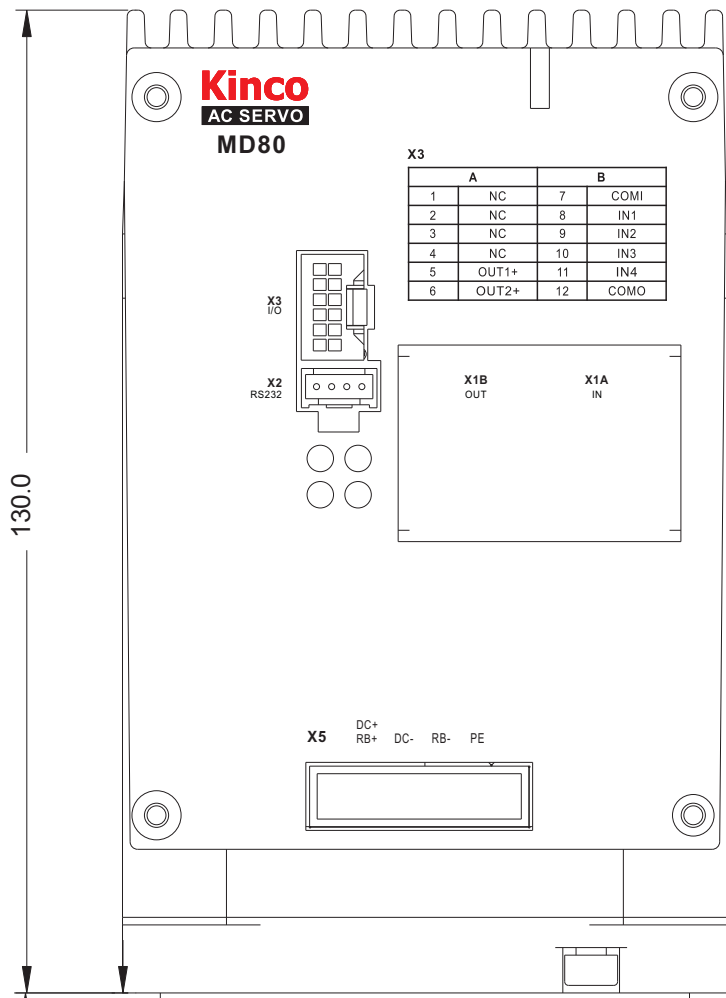
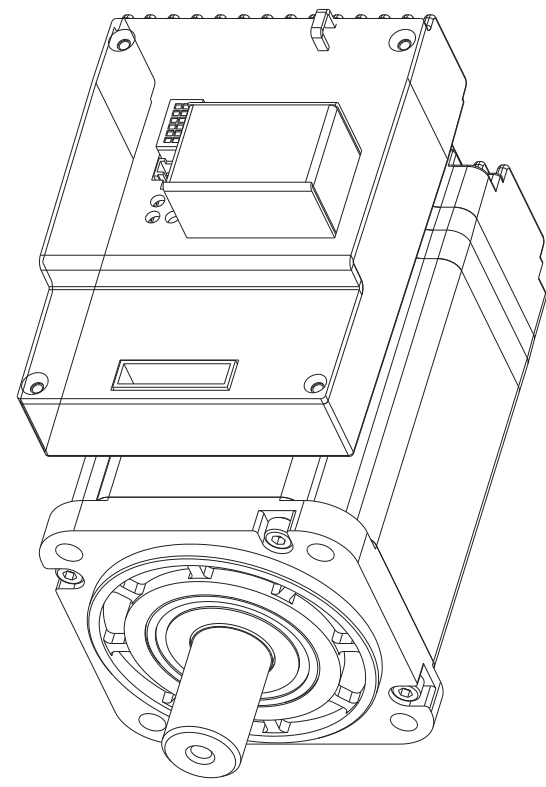
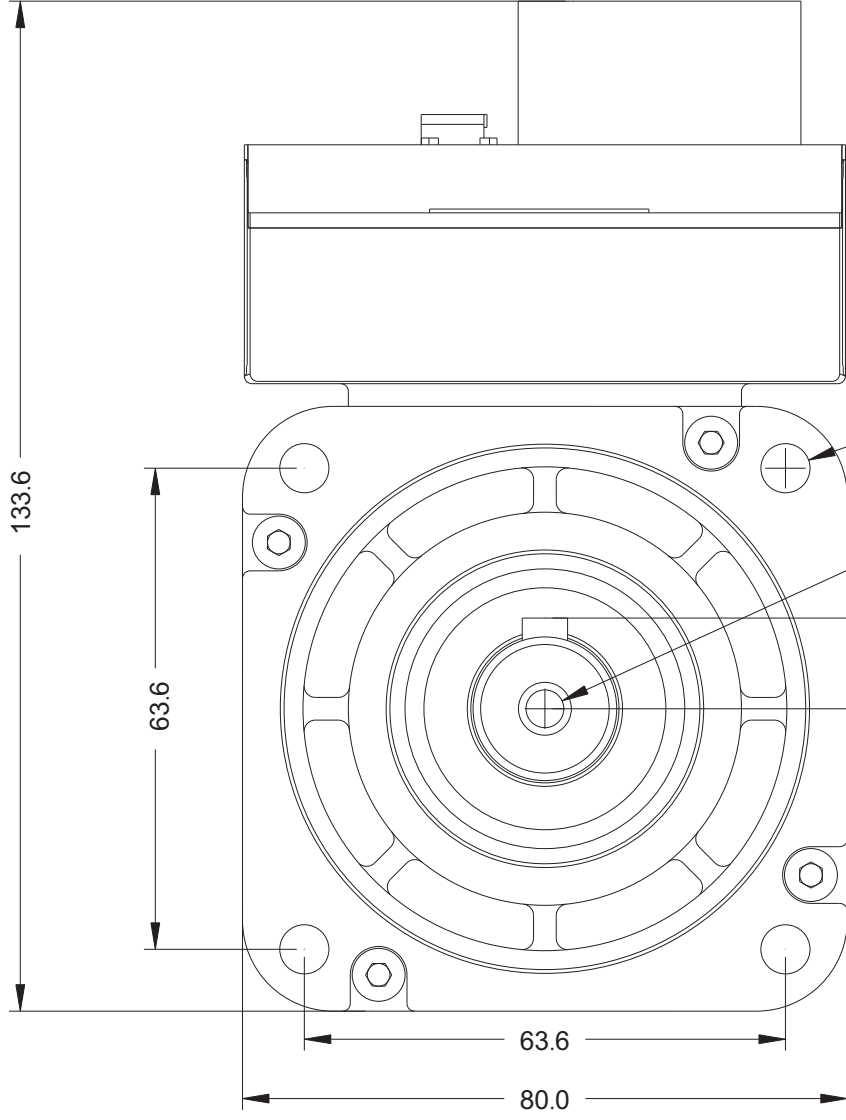


6
5
4
3
2
1

6
5
4
3
2
1

A B C D E F

A B C D E F



 DIMENSIONS IN MM				MATERIAL			 ISO2768-MK	MD80-EA Assbmely			
				SURFACE							
VERSION	MARK	DATE	NAME	STYLIST	FANG PING	20200803	PARTNUMBER				
				AUDITOR							
				APPROVER			SCALE	1:1	QUANTITY	WEIGHT	